

## *OIL-Less Rocking Piston Pumps for better Environment*

We try to serve you with high quality & performance.



*Vacuum Pumps & Air Compressor Series*  
*AC Version*



# OIL-Less Rocking Piston Pumps for better Environment

We try to serve you with high quality & performance.

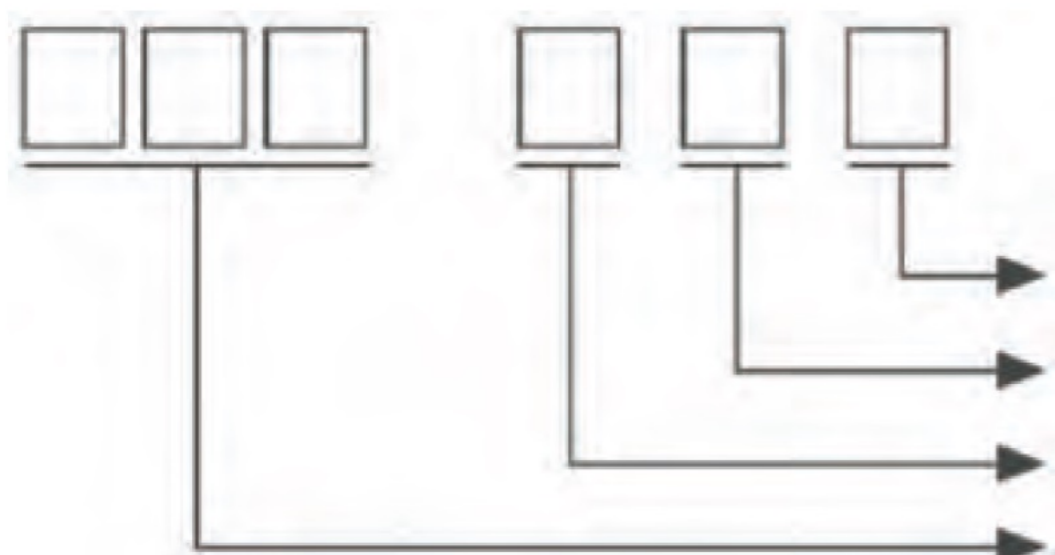
## Features ;

- OIL-Less operation & permanently lubricated bearings
- Stainless steel valves and AL Die Casting body
- Completely OIL-Free
- Compact design & Light weight
- Low noise & vibration, leak tight
- Distinguished long life & easy to maintain
- PTFE Coating Model available

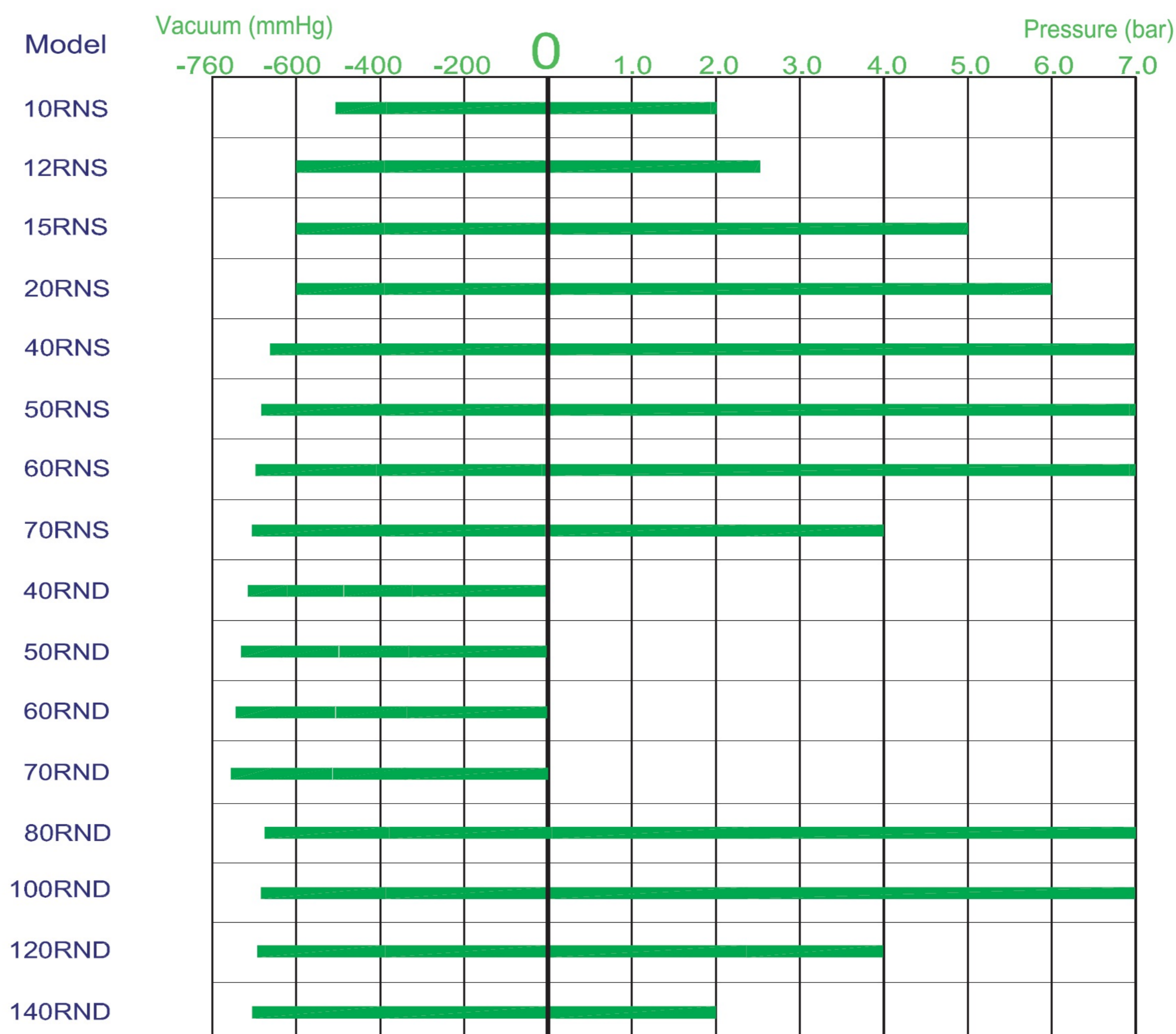
## Application ;

- Medical, Dental & E.N.T. Equipment
- Oxygen(Nitrogen) Concentrator
- Ozone Generator
- Semi Conductor Processing /Chip Mounter
- Packing Machine / Food Processor
- Environmental Equipment
- Skin Care / Vacuum Massager
- Laser & Plasma Cutting Machine
- Vacuum Tank System for SMT Line
- Fuel Cell System

## Selection Guide of Model



- **D** : Double head type, **S** : Single head type
- **N** : Normal model, **A** : Air Compressor only, **V** : Vacuum pump only
- **R** : Rocking Piston Pump, **D** : Diaphragm Pump, **L** : Linear Pump
- Free Flow Rate : LPM (Liters/minutes)



## Mini Single Head Series

Model	SINGLE Head series					
Descriptions	10RNS	12RNS	15RNS	20RNS	25RNS	30RNS
Free Flow Rate (Lpm)	8.0 (50Hz) 9.5 (60Hz)	10.0 (50Hz) 12.0 (60Hz)	12.5 (50Hz) 15.0 (60Hz)	16.0 (50Hz) 19.0 (60Hz)	21.0 (50Hz) 24.0 (60Hz)	26.0 (50Hz) 30.0 (60Hz)
Max. Vacuum (mmHg)	490	540	600	650	600	650
Max. Pressure (bar)	2.0	2.5	4.4	6.0	4.5	6.5
Connection Type	Barb type (R1/8" Tap available)					
Dimensions	140(L) x 94(H) x 117(W) mm					
Noise	45~52 dB					
Weight	1.95 Kg ( 4.3 lb)					
Motor Type	Capacitor Start, TP, 4 pole			Capacitor Start, TP, 2 pole		
Power Source	100~115 VAC (50/60Hz), 200~230 VAC (50/60Hz)					

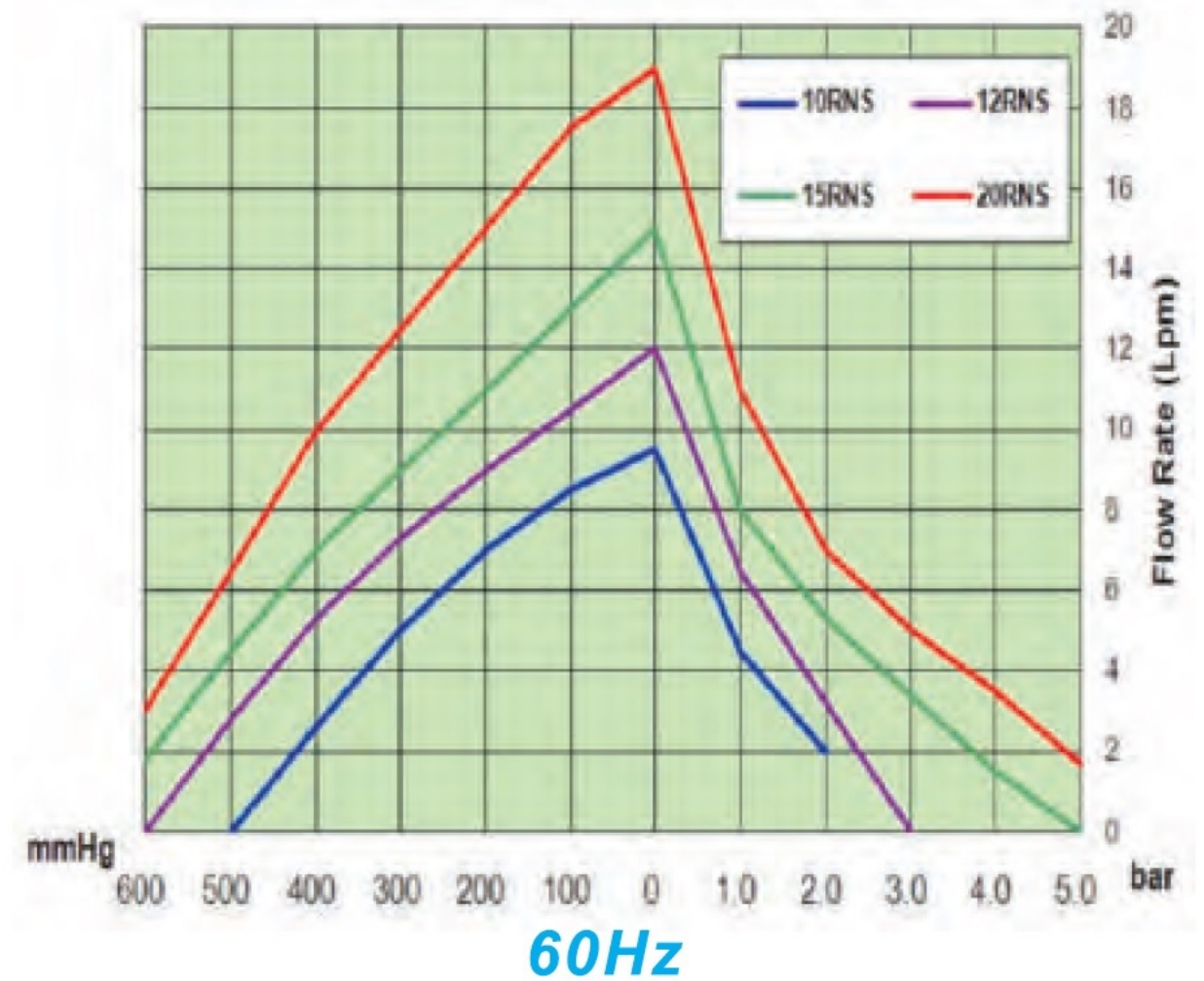
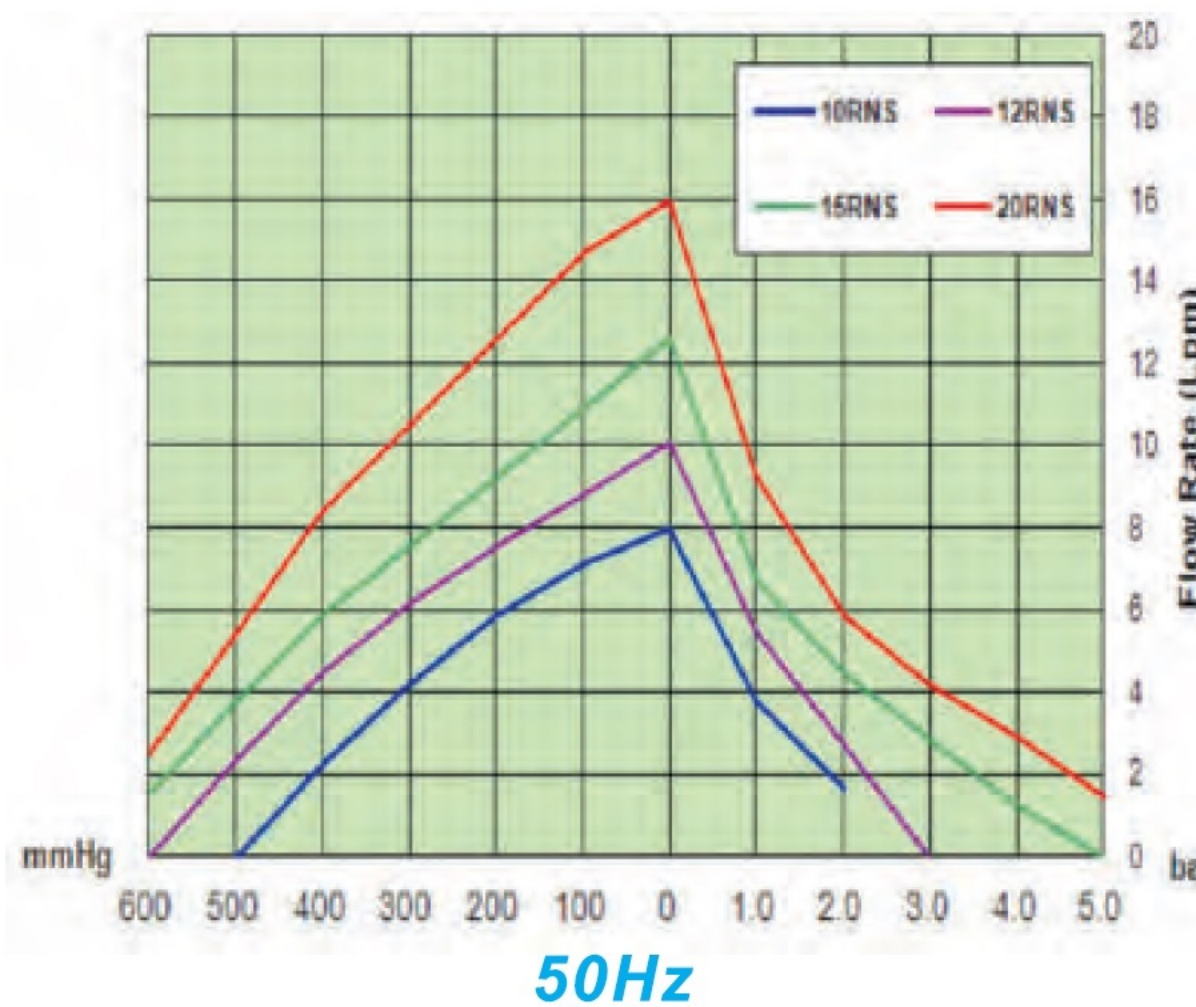
\* Please contact with factory for information of [Mini Double Head Type](#).



Single Head type



Double Head type



No.	Description	Material	Q'ty	Remarks
1	Motor Ass'y		1	83 core
2	Pump Body	ADC12	1	
3	Set Screw		1	M5
4	Eccentric		1	
5	Bearing		1	608ZZ
6	Rod	ADC12	1	
7	Teflon Cup	PTFE	1	Yellow
8	Rod Cap	ADC12	1	
9	Rod Screw	STS3	1	M4
10	Body Screw		4	M4
11	Cylinder	AL6061	1	Anodizing
12	O-Ring		1	
13	V/V Plate	ADC12	1	
14	V/V Guide	STS	1	
15	Valve	Silicone	1	White
16	Head	ADC12	1	
17	Rec-Ring	S. rubber	1	Red
18	Head Cap	ADC12	1	
19	Head Screw		4	M4
20	Cooling Fan	P.P	1	Black

Applied Model : 10, 12, 15, 20RNS(RVS, RAS)

# OIL-Less Rocking Piston Pumps for better Environment

We try to serve you with high quality & performance.

## Single Head Series

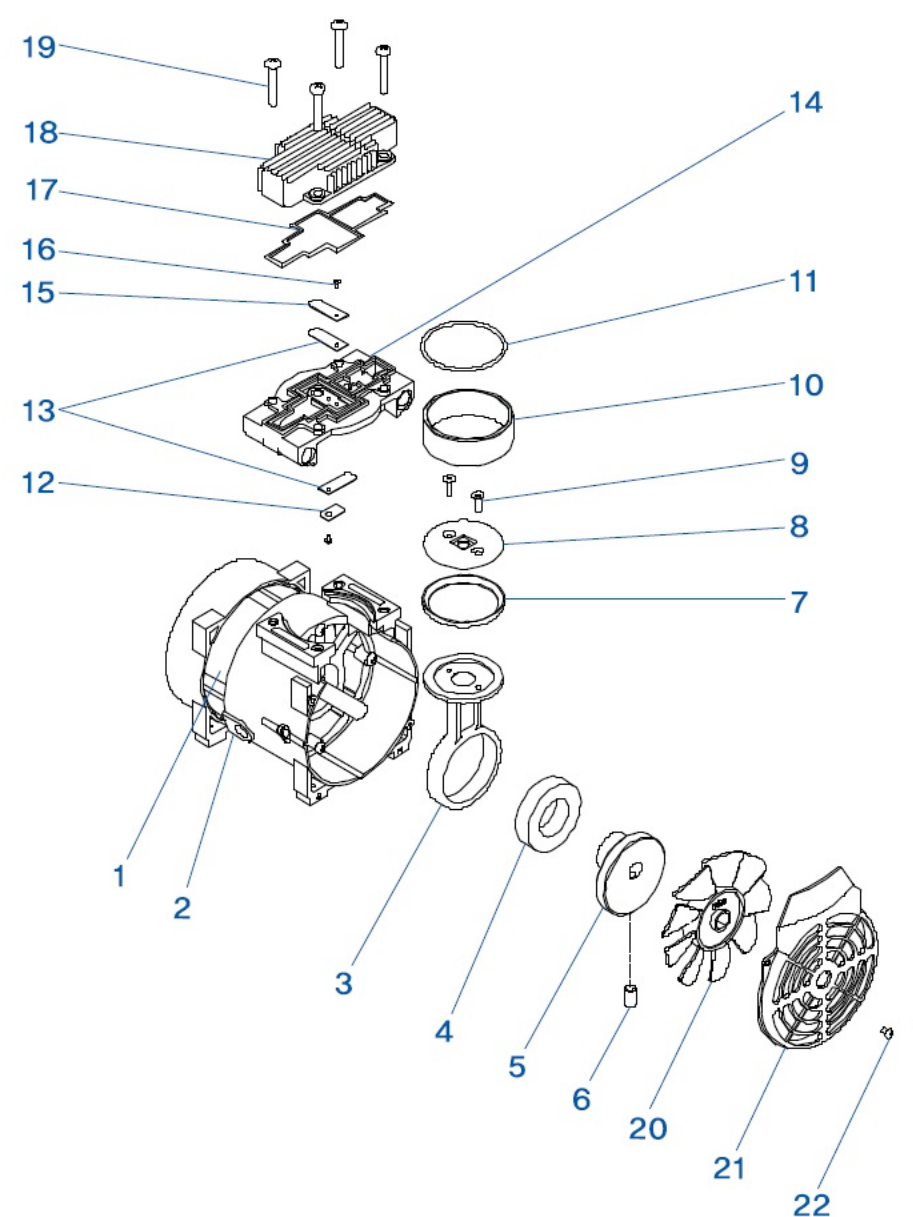
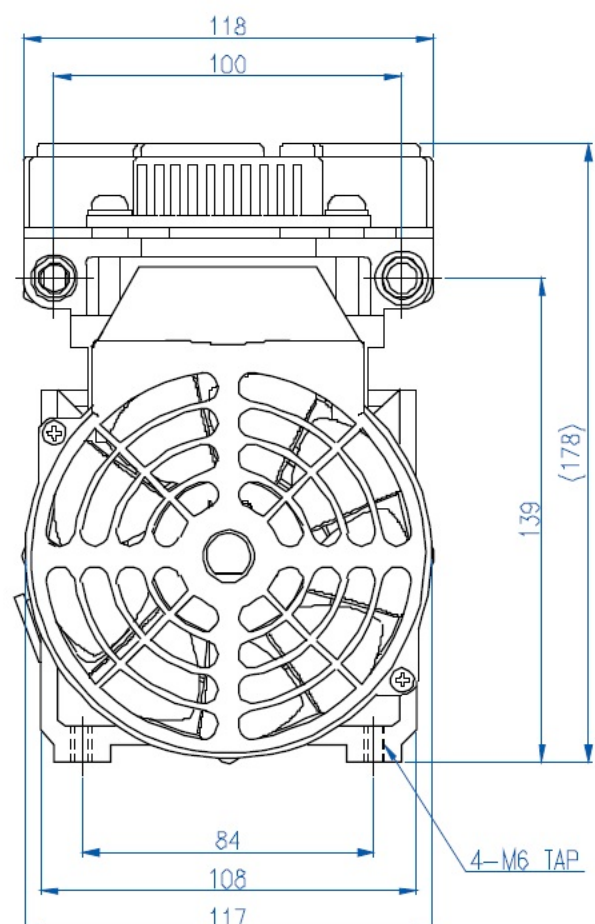
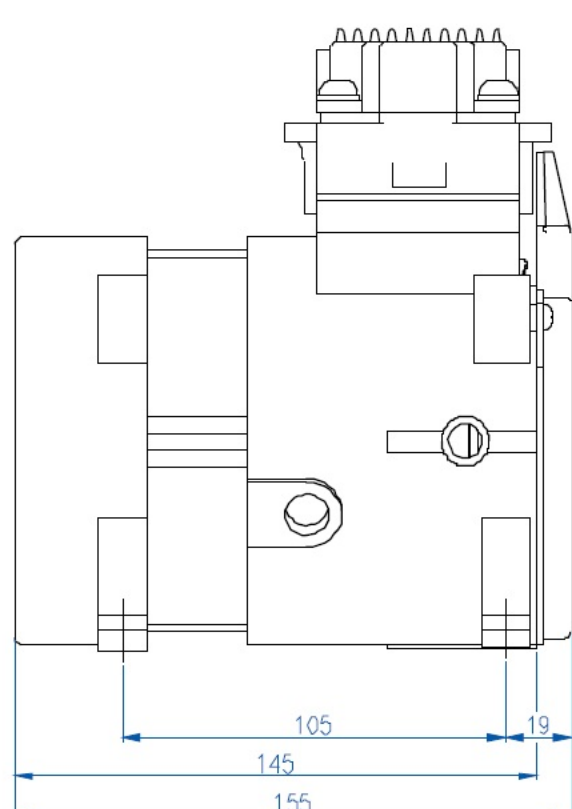
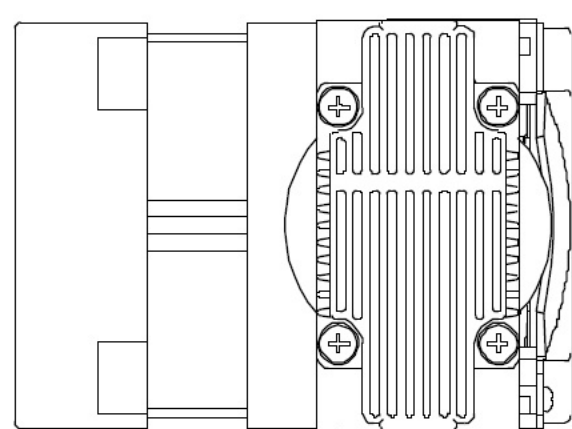
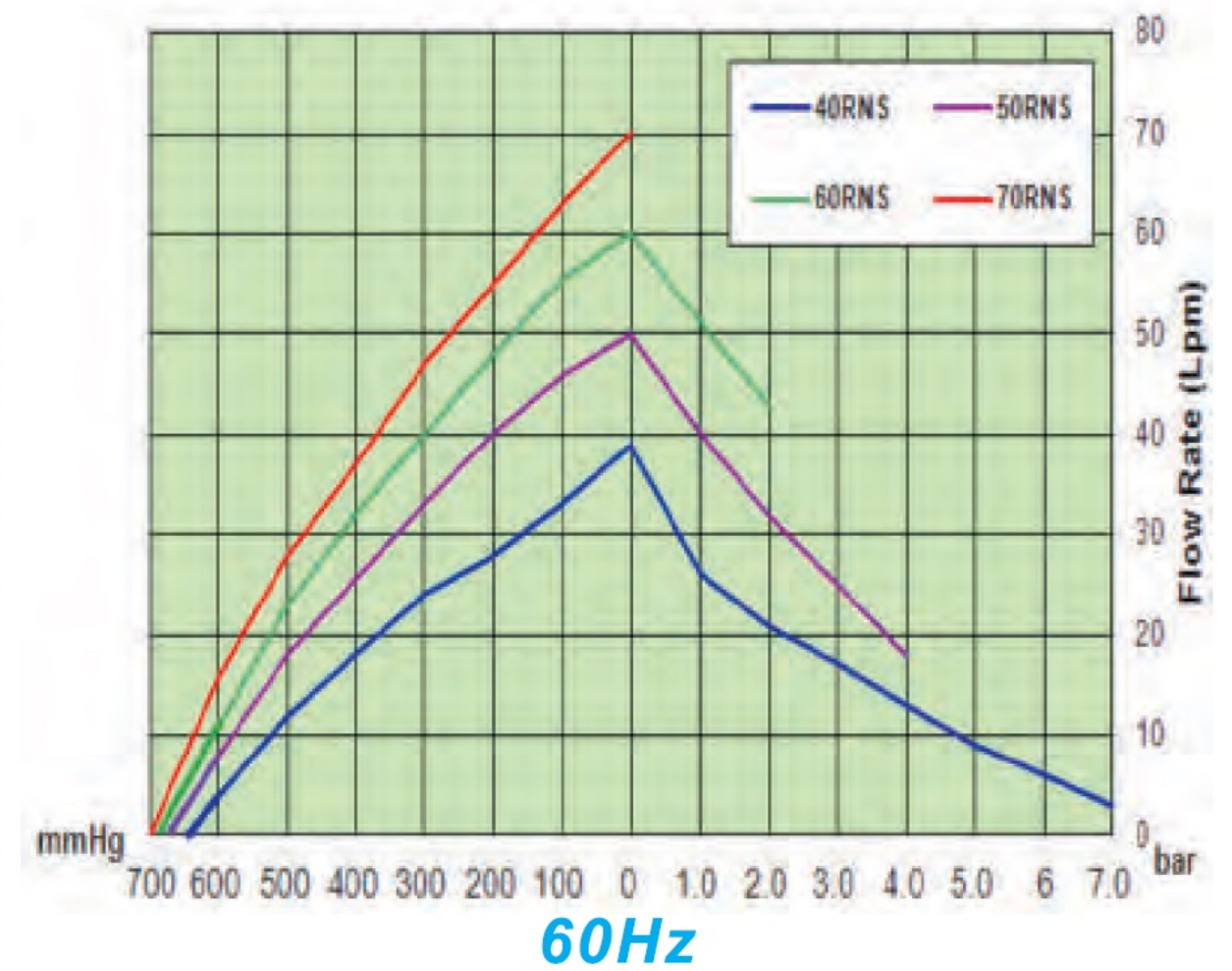
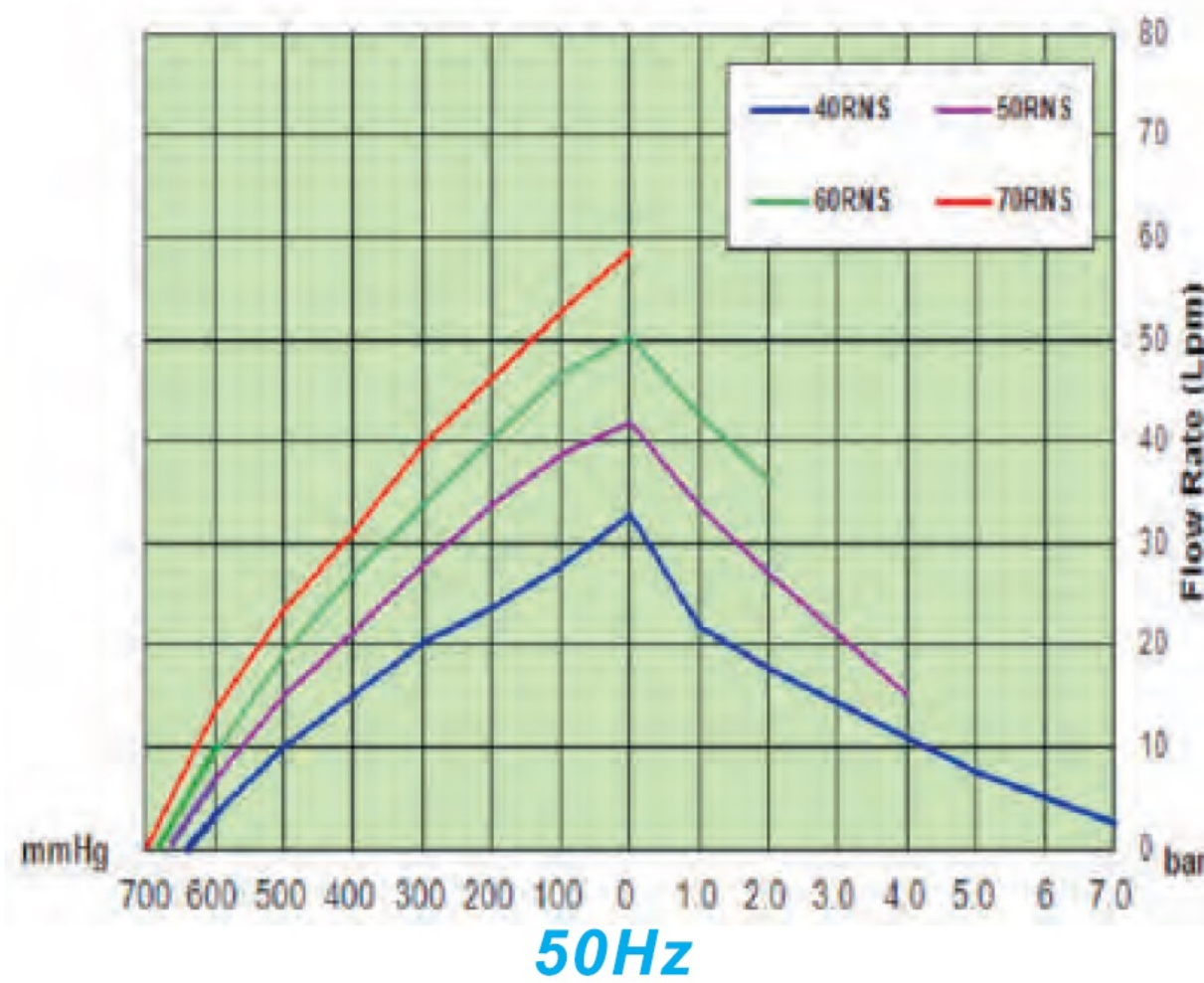
Model	SINGLE HEAD			
Descriptions	40RNS	50RNS	60RNS	70RNS
Head Configuration	Vacuum / Pressure			Vacuum Only
Free Flow Rate	33 LPM (50Hz) 39 LPM (60Hz)	42 LPM (50Hz) 50 LPM (60Hz)	50.5 LPM(50Hz) 60 LPM(60Hz)	59 LPM (50Hz) 70 LPM (60Hz)
Max. Vacuum	650 mmHg	680 mmHg	690 mmHg	700 mmHg
Max. Pressure	7.0 bar	4.0 bar	2.0 bar	N.A.
Connection	R 1/4" ( PT 1/4")			
Dimensions	155(L) x 178(H) x 118(W) mm			
Noise Level	50 ~ 53 dB			
Weight	4.2 Kg (9.3 lbs)			
Motor	4 Pole, Capacitor Start, Thermal Protector & Cooling fan			
Motor Power	100 W			
Power Source	100~110 VAC (50/60Hz), 200~220 VAC (50/60Hz), 230~240 VAC (50/60Hz)			



Normal type



PTFE Coating



No.	Description	Material	Q'ty	Remarks
1	Motor (AC Ver.)		1	110 Core
2	Wire Holder	NBR	1	
3	Rod	ADC12	1	
4	Bearing		1	6006ZZ
5	Eccentric		1	
6	Set Screw		1	M8
7	Teflon Cup	PTFE	1	
8	Rod Cap	ADC12	1	
9	Rod Screw	STS	2	M4
10	Cylinder	AL6061	1	Anodizing
11	O-Ring	Silicone	1	
12	Valve washer	STS	1	Small
13	Valve	STS	2	
14	Valve Plate	ADC12	1	
15	Valve washer	STS	1	Large
16	Valve Screw		2	M4
17	Rec-Ring	Silicone	1	Red
18	Head Cap	ADC12	1	
19	Head Screw		4	M6
20	Fan	P.P	1	Black
21	Fan Cover	P.C	1	Black
22	F/C Screw		2	M4

Applied Model : 40, 50, 60, 70RNS(RVS, RAS)

## Double Head Series (Serial Connection Type)

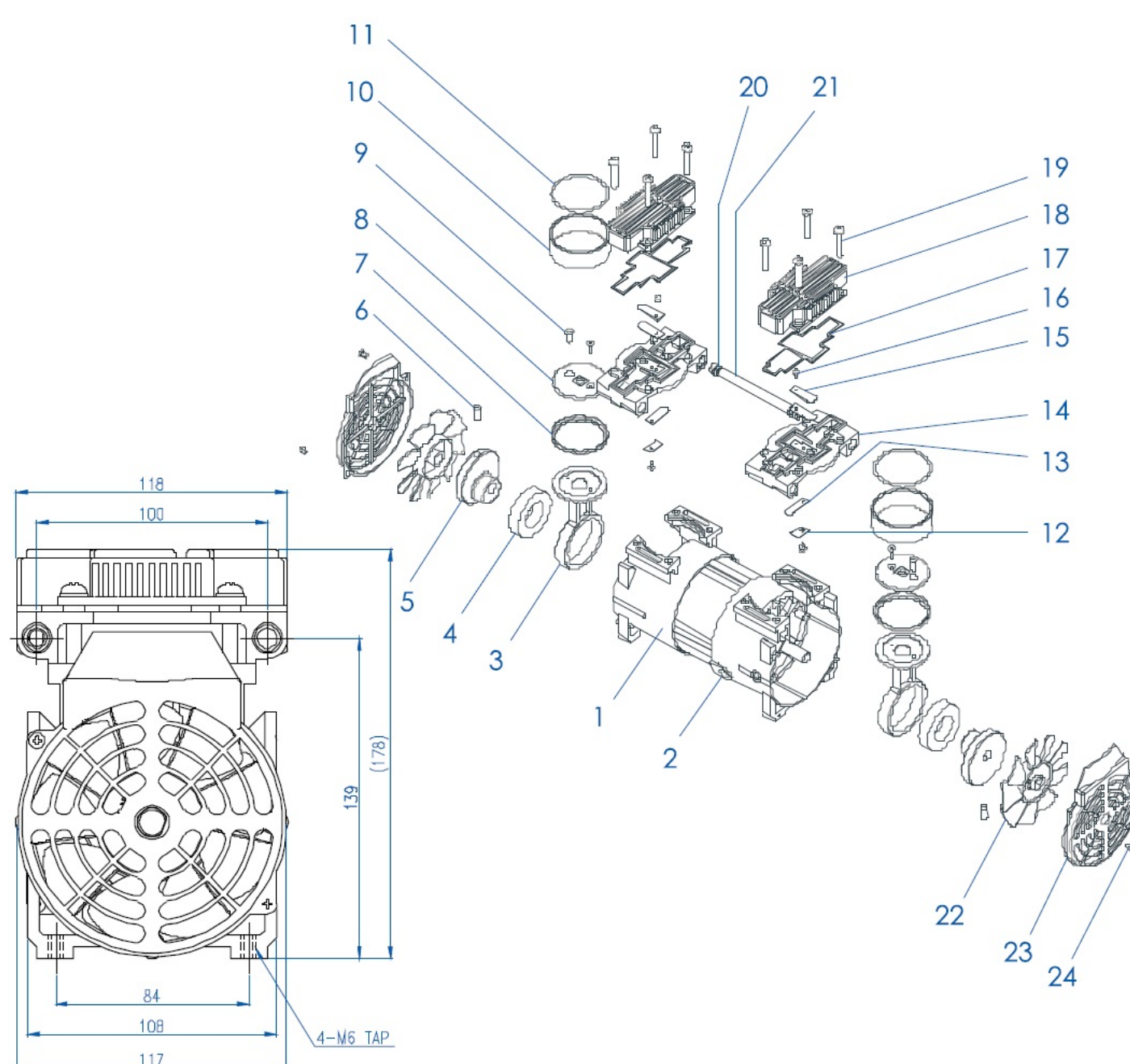
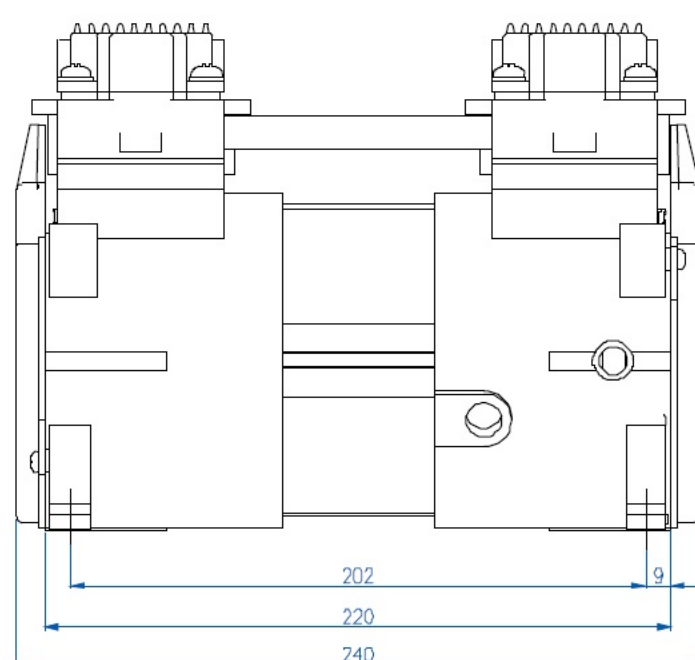
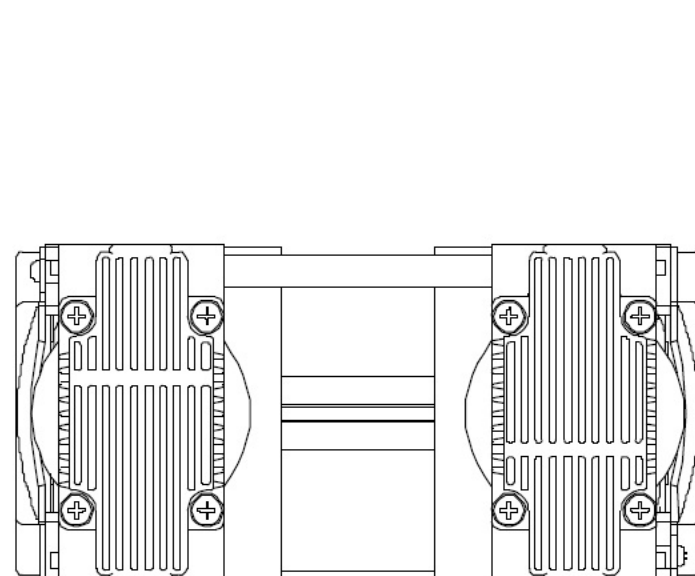
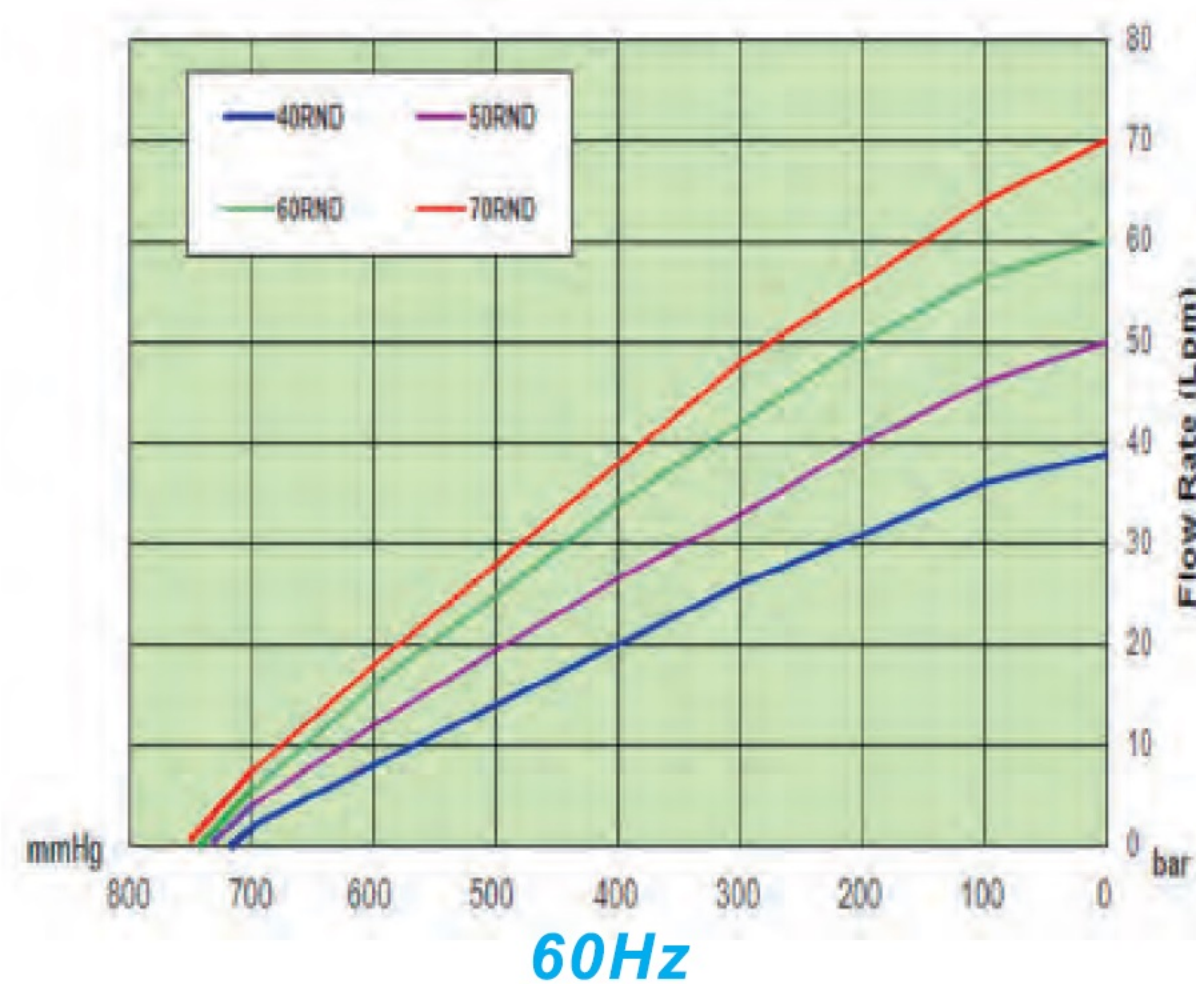
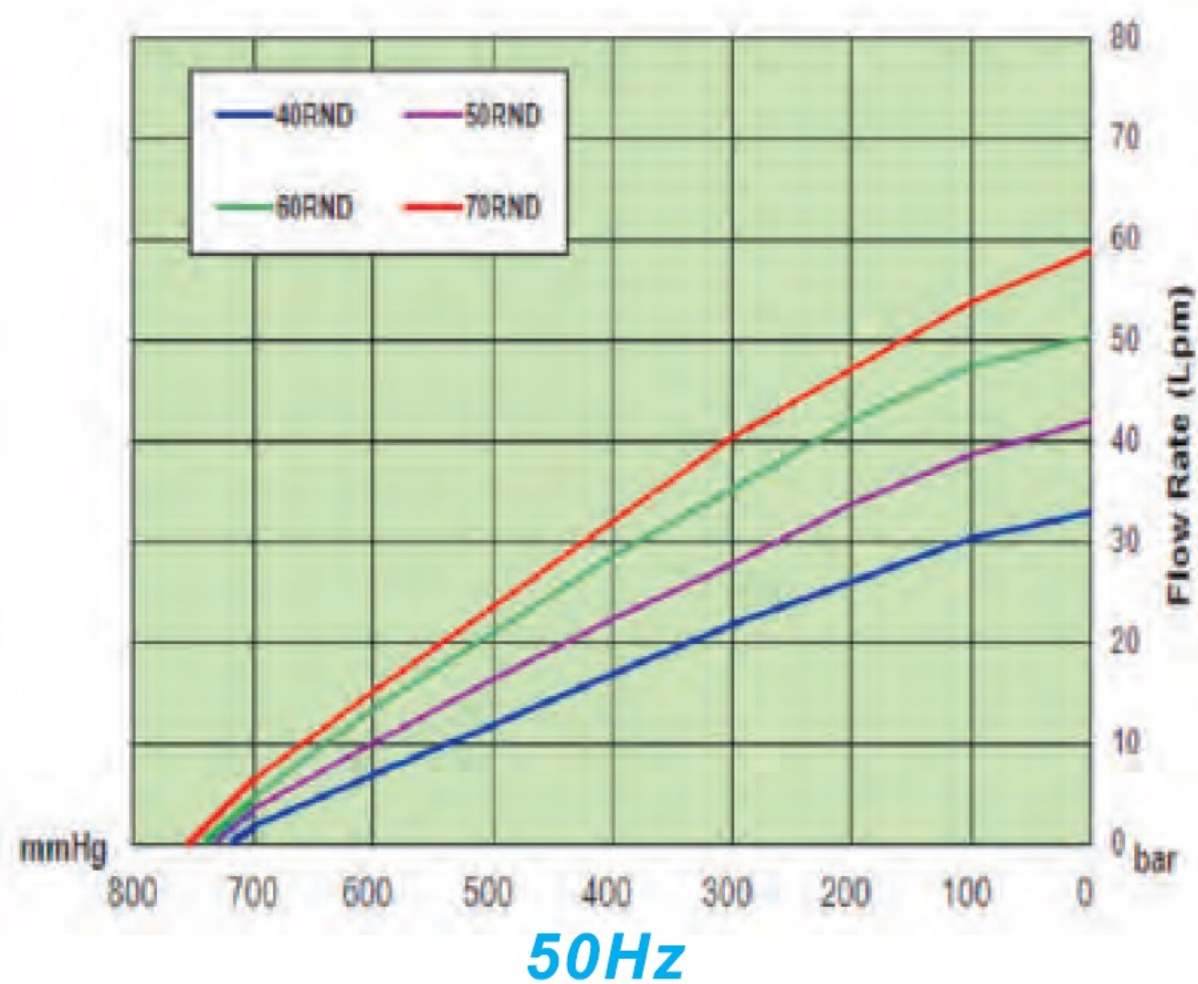
Model	DOUBLE HEAD			
Descriptions	40RND	50RND	60RND	70RND
Head Conneciton	Serial Connection (2-Stage)			
Head Configuration	Vacuum only			
Free Flow Rate	33 LPM (50Hz) 39 LPM (60Hz)	42 LPM (50Hz) 50 LPM (60Hz)	50 LPM (50Hz) 60 LPM (60Hz)	59 LPM (50Hz) 70 LPM (60Hz)
Max. Vacuum	720 mmHg	740 mmHg	745 mmHg	750 mmHg
Max. Pressure	N.A.			
Connection	R 1/4" ( PT 1/4")			
Dimensions	240(L) x 178(H) x 118(W) mm			
Noise Level	50 ~ 53 dB			
Weight	7.1 Kg (15.8 lbs)			
Motor	4 Pole, Capacitor Start, Thermal Protector & Cooling fan			
Motor Power	200 W			
Power Source	100~110 VAC (50/60Hz), 200~220 VAC (50/60Hz), 230~240 VAC (50/60Hz)			



Normal type



PTFE Coating



No.	Description	Material	Q'ty	Remarks
1	Motor (AC Ver.)		1	110 Core
2	Wire Holder	NBR	1	
3	Rod	ADC12	2	
4	Bearing		2	6006ZZ
5	Eccentric		2	
6	Set Screw		2	M8
7	Teflon Cup	PTFE	2	
8	Rod Cap	ADC12	2	
9	Rod Screw	STS	4	M4
10	Cylinder	AL6061	2	Anodizing
11	O-Ring	Silicone	2	
12	Valve washer	STS	2	Small
13	Valve	STS	2	
14	Valve Plate	ADC12	2	
15	Valve washer	STS	2	Large
16	Valve Screw		4	M4
17	Rec-Ring	Silicone	2	Red
18	Head Cap	ADC12	2	
19	Head Screw		8	M6
20	O-Ring	Silicone	4	Red
21	Conn. Pipe	AL6063	1	
22	Fan	P.P	2	Black
23	Fan Cover	P.C	2	Black
24	F/C Screw		4	M4

Applied Model : 40, 50, 60, 70RND(RVD)

# OIL-Less Rocking Piston Pumps for better Environment

We try to serve you with high quality & performance.

## Double Head Series (Parallel Connection Type)

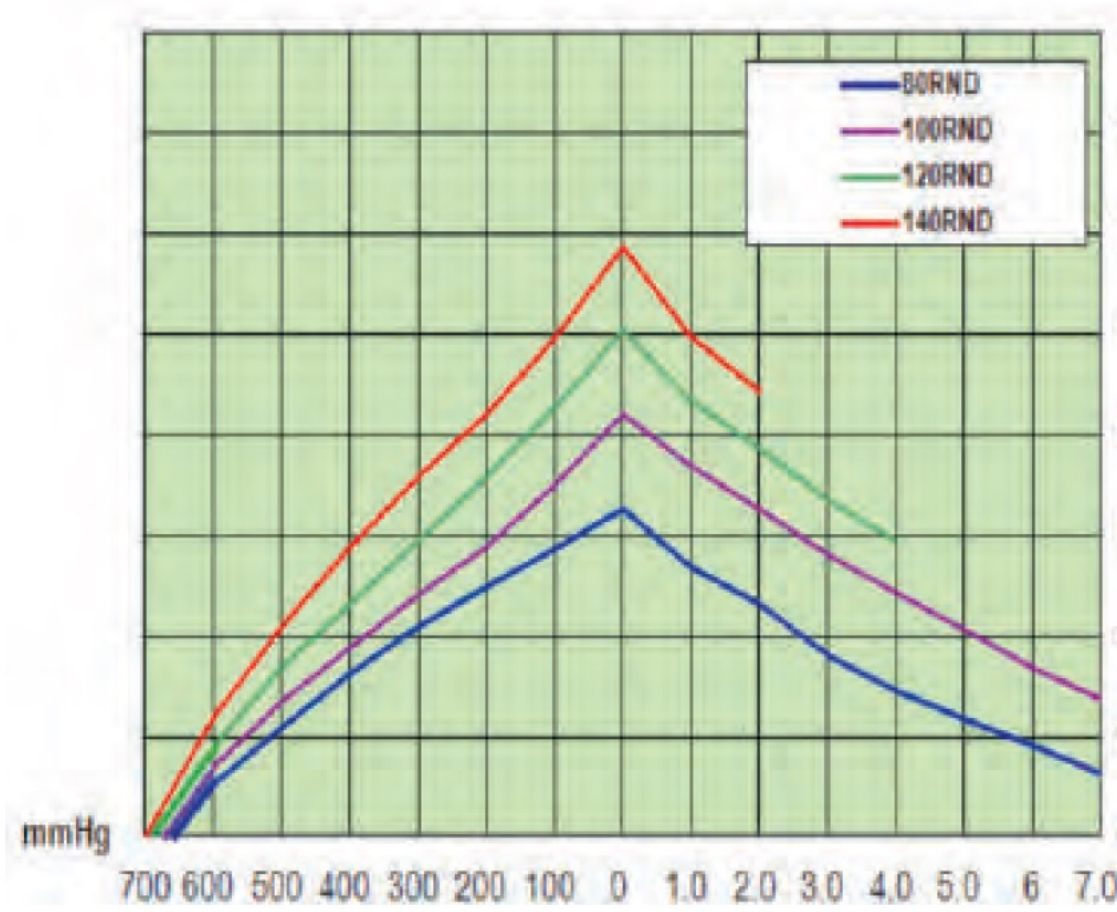
Model	DOUBLE HEAD			
Descriptions	80RND	100RND	120RND	140RND
Head Conneciton	Parallel Connection (1-Stage)			
Head Configuration	Vacuum / Pressure			
Free Flow Rate	66 LPM (50Hz) 78 LPM (60Hz)	84 LPM (50Hz) 100 LPM (60Hz)	101 LPM (50Hz) 120 LPM (60Hz)	118 LPM (50Hz) 140 LPM (60Hz)
Max. Vacuum	650 mmHg	680 mmHg	690 mmHg	700 mmHg
Max. Pressure	7 bar	7 bar	4 bar	2 bar
Connection	R 1/4" ( PT 1/4")			
Dimensions	240(L) x 178(H) x 118(W) mm			
Noise Level	55 ~ 58 dB			
Weight	7.1 Kg (15.8 lbs)			
Motor	Capacitor Start, Equipped with Termal Protector & Inner Cooling Fan			
Motor Power	200 W			
Power Source	100~110 VAC (50/60Hz), 200~220 VAC (50/60Hz), 230~240 VAC (50/60Hz)			



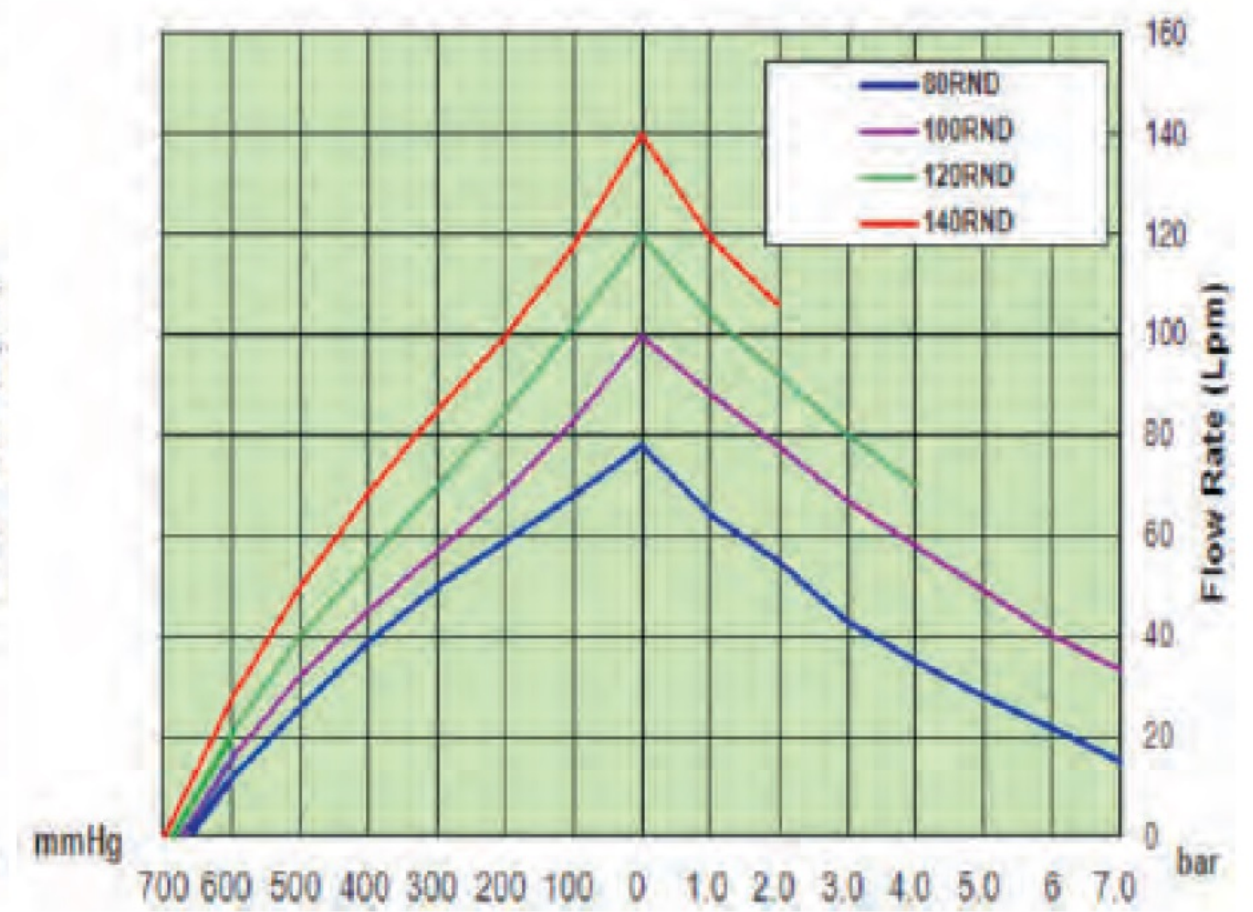
Normal type



PTFE Coating



50Hz



60Hz

Dimensions: 202, 220, 240, 118, 100, 139, 178, 84, 108, 117, 4-M6 TAP

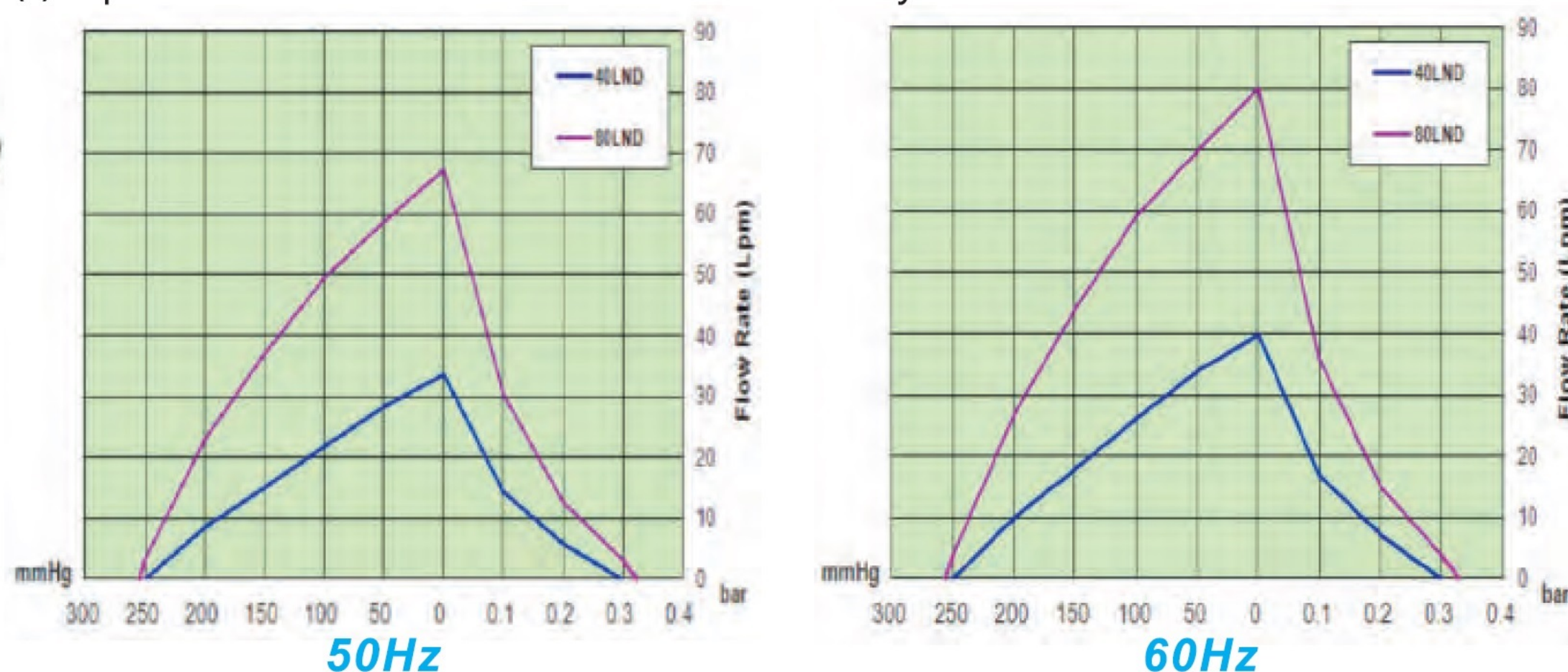
No.	Description	Material	Q'ty	Remarks
1	Motor (AC Ver.)		1	110 Core
2	Wire Holder	NBR	1	
3	Rod	ADC12	2	
4	Bearing		2	6006ZZ
5	Eccentric		2	
6	Set Screw		2	M8
7	Teflon Cup	PTFE	2	
8	Rod Cap	ADC12	2	
9	Rod Screw	STS	4	M4
10	Cylinder	AL6061	2	Anodizing
11	O-Ring	Silicone	2	
12	Valve washer	STS	2	Small
13	Valve	STS	2	
14	Valve Plate	ADC12	2	
15	Valve washer	STS	2	Large
16	Valve Screw		4	M4
17	Rec-Ring	Silicone	2	Red
18	Head Cap	ADC12	2	
19	Head Screw		8	M6
20	O-Ring	Silicone	8	Red
21	Conn. Pipe	AL6063	2	
22	Fan	P.P	2	Black
23	Fan Cover	P.C	2	Black
24	F/C Screw		4	M4

Applied Model : 80, 100, 120, 140RND(RVD)

## OIL-Less Linear Pumps Series

Model	15LND	20LND	40LND	80LND (*)
Free Flow Rate (Lpm)	13 (50Hz) 15 (60Hz)	17 (50Hz) 20 (60Hz)	34 (50Hz) 40 (60Hz)	67 (50Hz) 80 (60Hz)
Max. Vacuum (mmHg)	NA	NA	250	NA
Max. Pressure (bar)	0.2	0.2	0.25	0.30
Connection type	Barb type			
Dimensions (WxHxL mm)	73 x 45 x 130		126 x 95 x 84	178 x 129 x 108
Weight	0.5Kg		1.0Kg	2.2Kg
Power Consumption	6W	7W	40W	80W
Power Source	110~120 VAC (50/60Hz), 220~230 VAC (50/60Hz)			

(\*) Optional model : Please contact with factory before order.



## Water pump Series (Magnetic Type)

Specifications	Model Name	
	4WNS	8WNS
Max. Capacity(LPM @ open flow)	4	8.5
Max. Head (cm)	120	180
Min. Ambient Temp. (°C)	0	0
Max. Current at Rated Load (A)	0.1	0.25
Max. Ambient Temp. (°C)	40	40
Liquid Temperature (°C)	0~90	0~90
Net Weight (Kg)	0.47	0.97
Insulation Class	E	
Port Size (Φ)	O.D Φ 10	
Voltage (V)	AC 220V 50/60Hz ( AC 100V 50/60Hz , AC 120V 60Hz , AC 230V 50Hz )	
Motor Poles	2P	
Thermal Protector	120°C	
Motor Type	Shaded pole induction Motor	



## Available Accessories

### 消音器及附件

#### 避震固定器

➔ R-SL1 (Solid type)



➔ R-ST1 (Both Stud)



➔ R-ST2 (Both Stud)



➔ R-SN (Stud & Tap)



➔ R-RM1 (Stud & Flat)

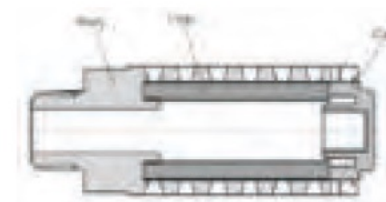


#### 過濾器及消音器

➔ F-DC01  
(AL Die Casting)



➔ F-PF01  
(Pneumatic Filter)



➔ F-PC01  
(Poly Carbonate)



➔ F-CC01  
(Comp Air Filter)



### 主要零件

➔ Stainless steel valve



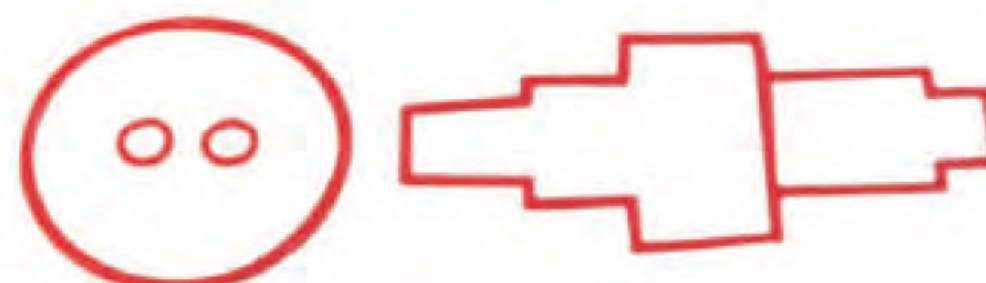
➔ Piston Ring (Teflon)



➔ Permanently lubricated bearings  
6203ZZ for motor shaft  
6006ZZ for eccentric



➔ O-rings made by 100% of Silicone Rubber  
We never use gasket made by paper or asbestos



G&M Tech Inc.  
(주) 지엔엠텍

Room No.404, Daewoo FV, 16-25, 16<sup>th</sup> St.,  
Dongbaekjungang Rd, Giheung-Gu, Yongin-City, 17015, Korea  
TEL : +82-31-459-8221 FAX : +82-31-459-8611  
Home Page : <http://www.gnmtechinc.com>  
E-MAIL : [info@gnm-mail.com](mailto:info@gnm-mail.com)

經銷商

頤拓企業有限公司  
*eTorch Co., Ltd.*

台北市內湖區安康路28之7號10樓  
電話 : 02-2793-9096 網址 : [www.idew.com.tw](http://www.idew.com.tw)  
email: [info@etorch.com.tw](mailto:info@etorch.com.tw)

To improve, the specifications & design on catalog can be changed without notice.