

Super high density Oxygen Analyzer FG-ISX



What's FG-ISX

This is high density oxygen analyzer using limiting current method of Zirconia electrolyte.

Features

- ◎ It can measure over 99.9% Oxygen at high accuracy and stability.
- ◎ It does not need reference gas and not be influenced by environment.
- ◎ Simple structure, maintenance free.
- ◎ Power saving.

Applications

- ◎ Air separation plant, Oxygen filling station, Liquid Oxygen tank, Oxygen piping maintenance, Oxygen PSA, Laboratory etc.

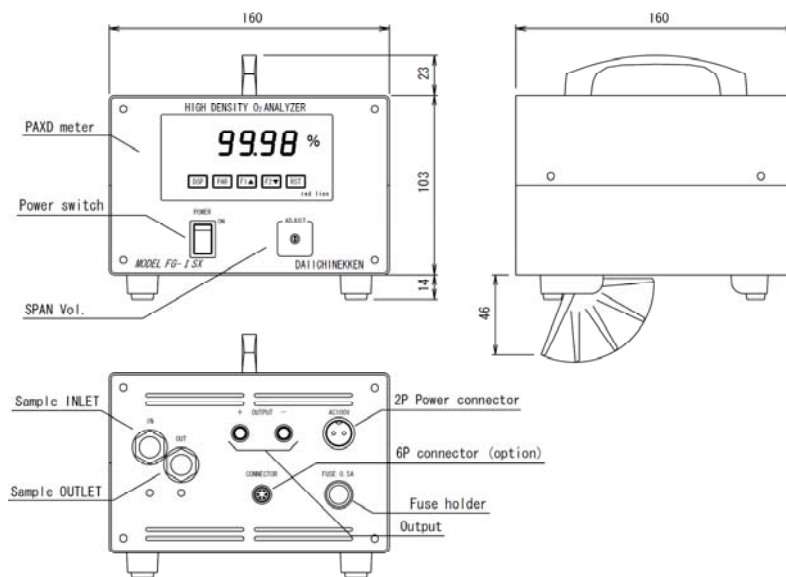
Specification

Handling	Portable		
Measuring Sphere	0~100%O ₂		
Display	00.00%~100.00%O ₂		
Range	1Range (0 to 100%O ₂ or 90 to 100%O ₂)		
Output Signal	D.C. 4~20mA or D.C. 0~10V		
Alarm Output	Hi/Lo 2points (Option)		
Serial Comm.	RS232 or RS485 (Option)		
Linearity	Less than ±1%O ₂ (0%~90%O ₂), ±0.1%O ₂ (90%~100%O ₂)		
Repeatability	Less than ±1%O ₂ (0%~90%O ₂), ±0.1%O ₂ (90%~100%O ₂)		
Response	90% reading in 10 sec. (Swinging to a high density side)		
Sample Condition	Not include water, corrosive, halogen, combustible Introduce (positive pressure)		
Sampling Flow rate	0.5~2.0L/min 50°C MAX.	Power Source	AC100±10V 50/60Hz 50VA MAX.
Sample Temp.	INLET&OUTLET Rc1/4	Ambient Temp.	0 to 50°C
Warm Up Time	About 10 minutes	Attachment	Power cord 3m
		Option	Signal & communication cable 3m

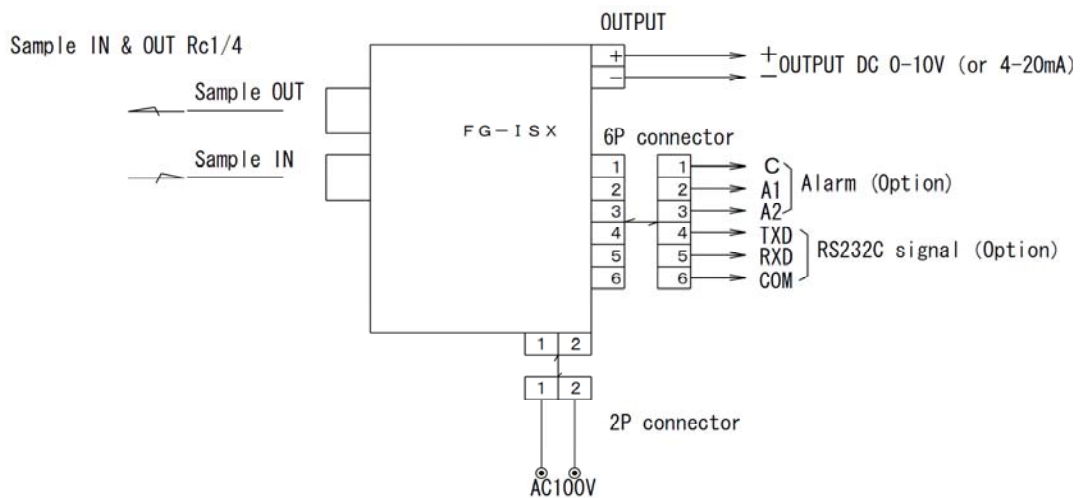
※For the improvement, the specification and design may be changed without prior notice.

Dimensions & Flow Diagram

Dimensions



Flow Sheet



Inquiry

Daiichi Nekken CO., LTD

13-22 Nishikura-Cyo Ashiya-City

Hyogo-Prefecture Japan

TEL 0797-31-2410 / FAX 0797-31-8951

URL <http://www.daiichinekken.co.jp>

E-mail info@daiichinekken.co.jp